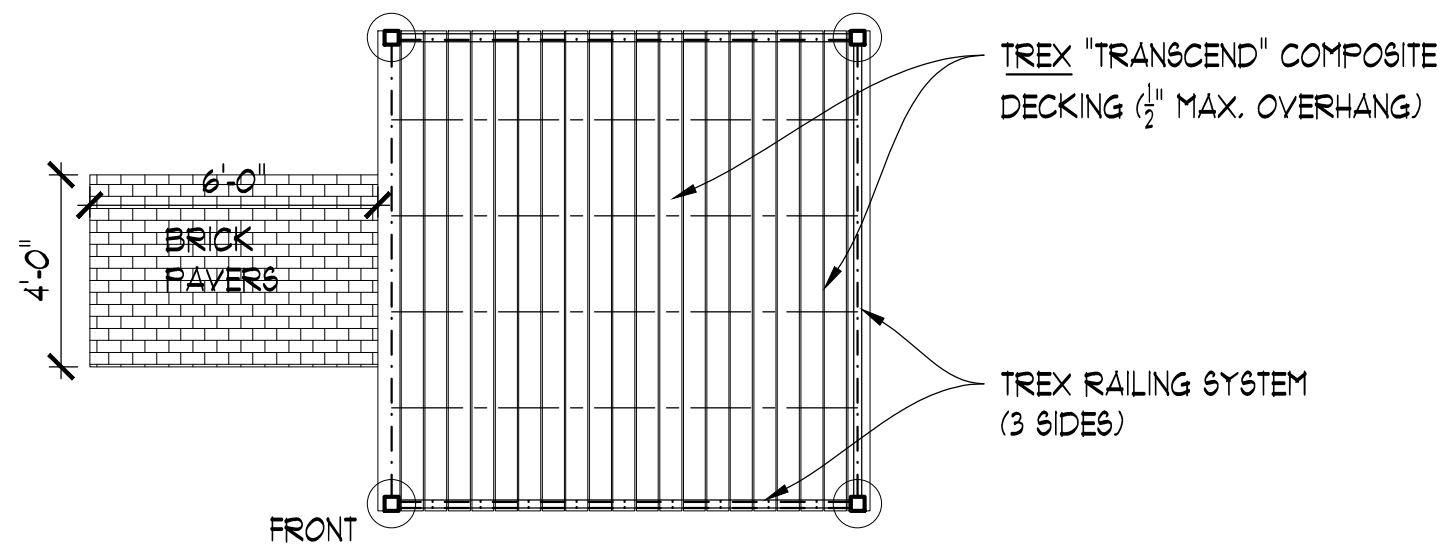
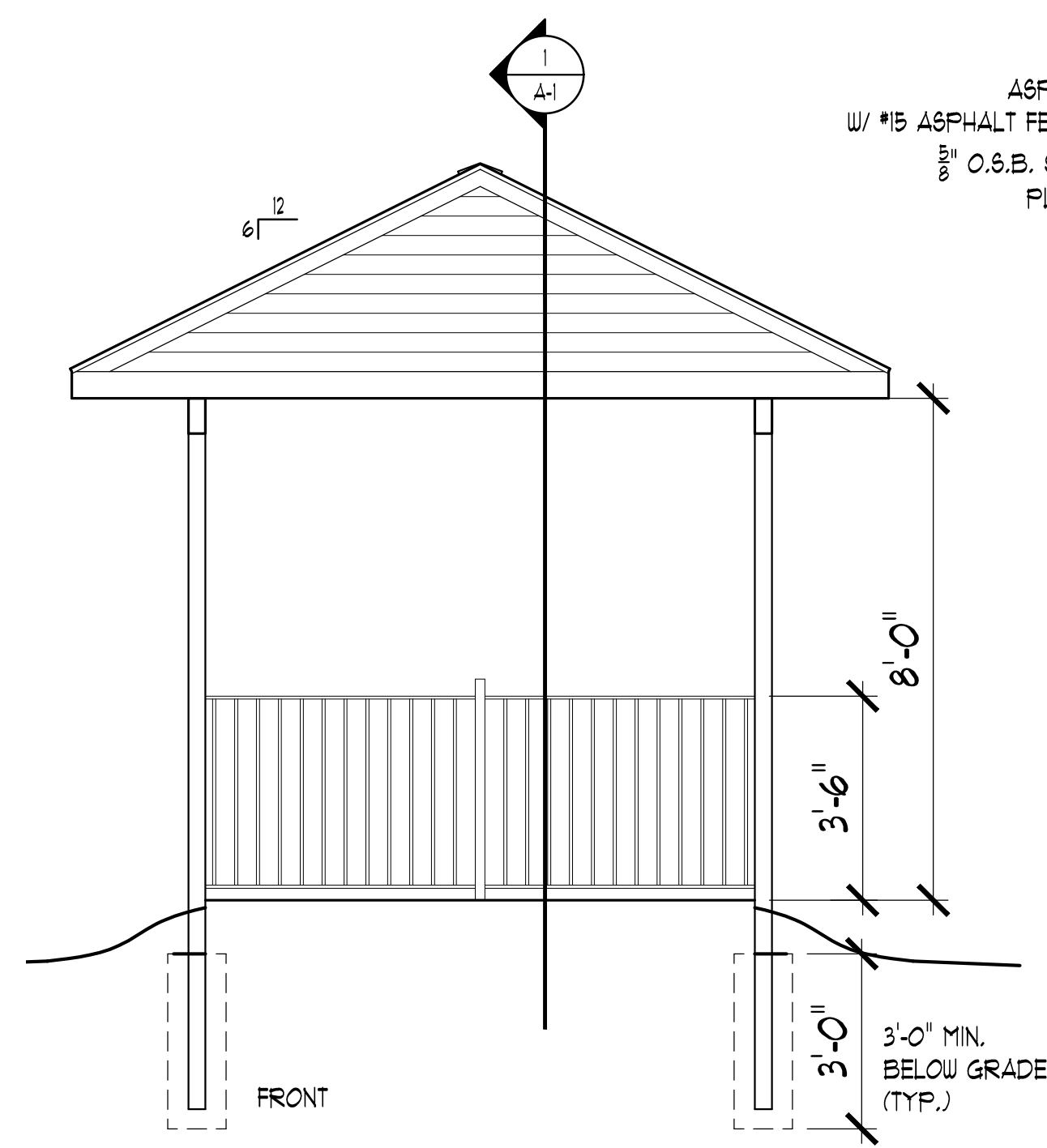


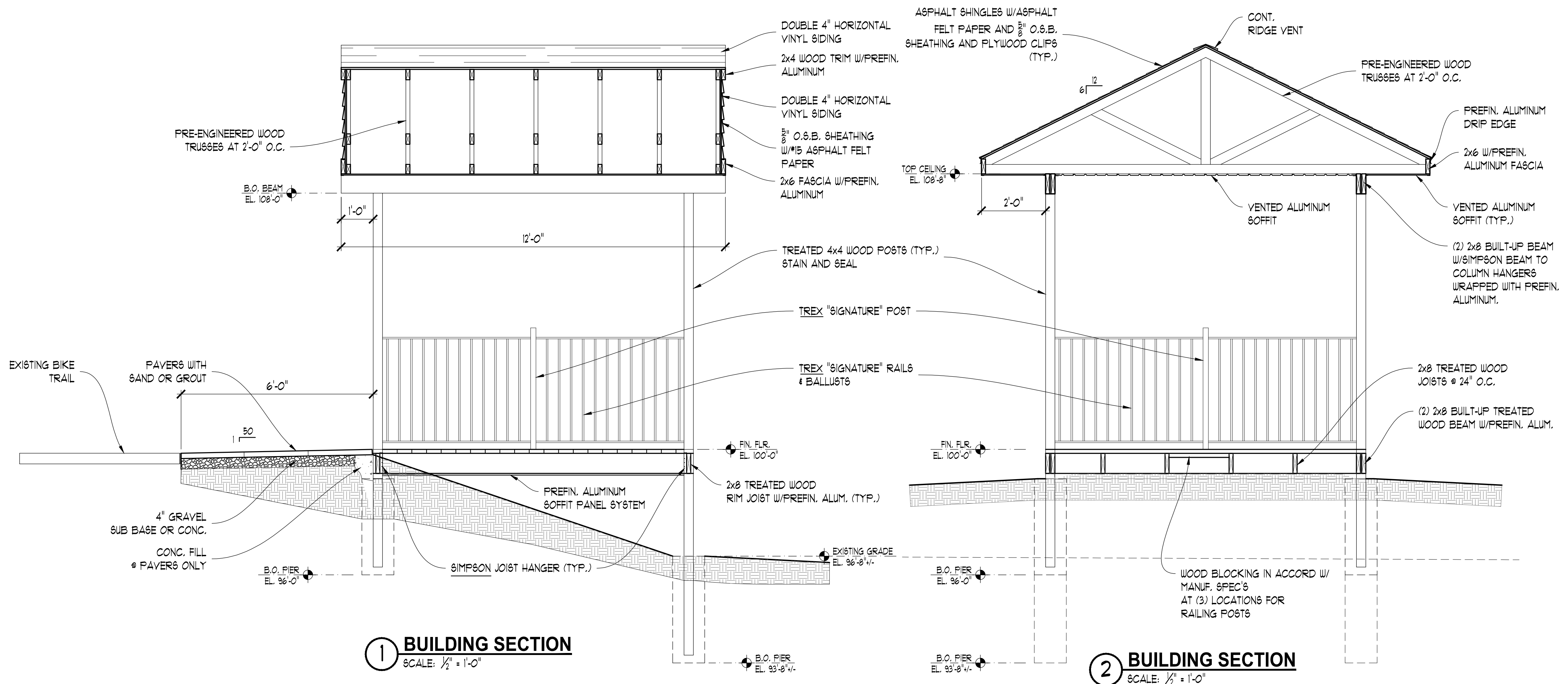
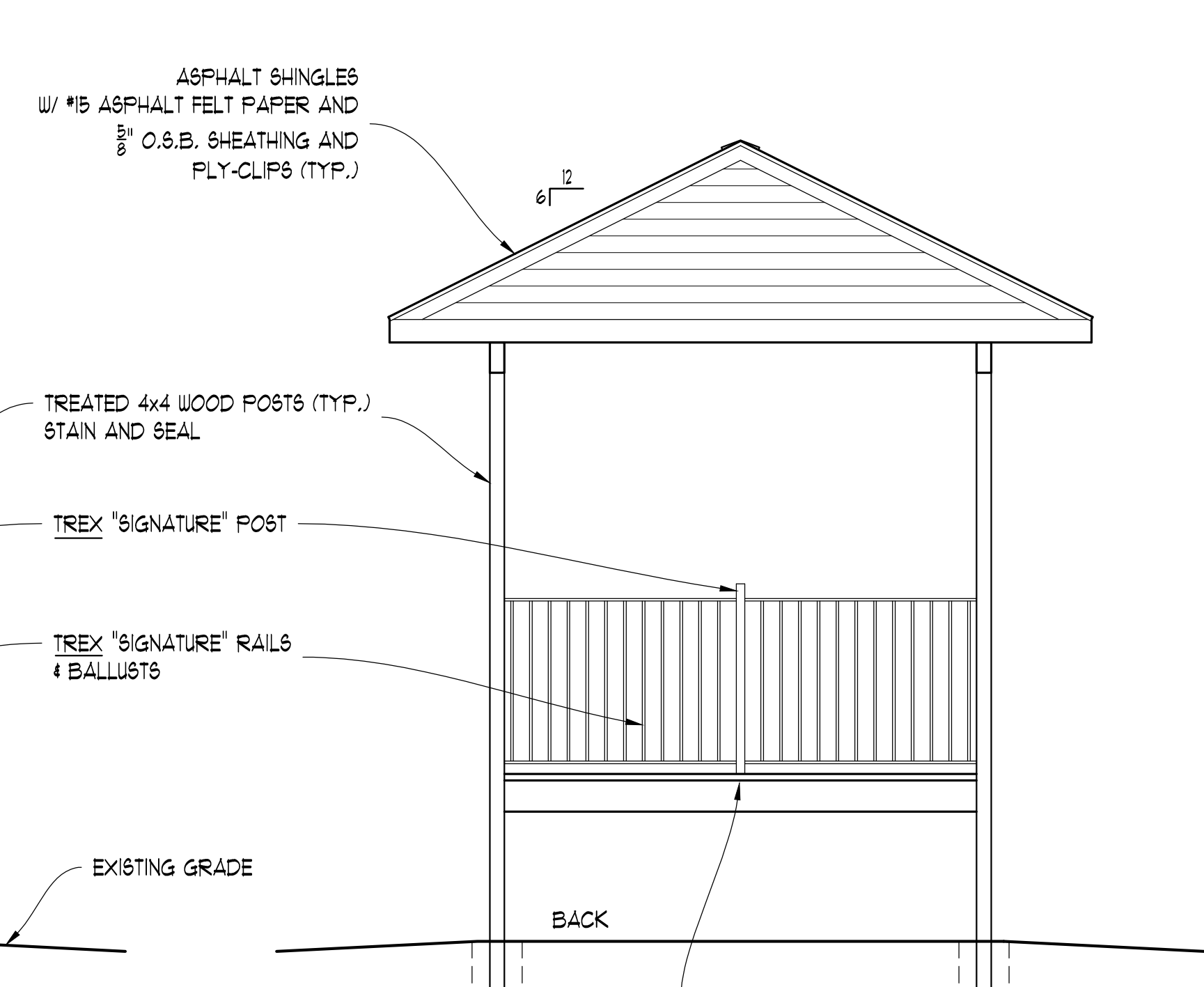
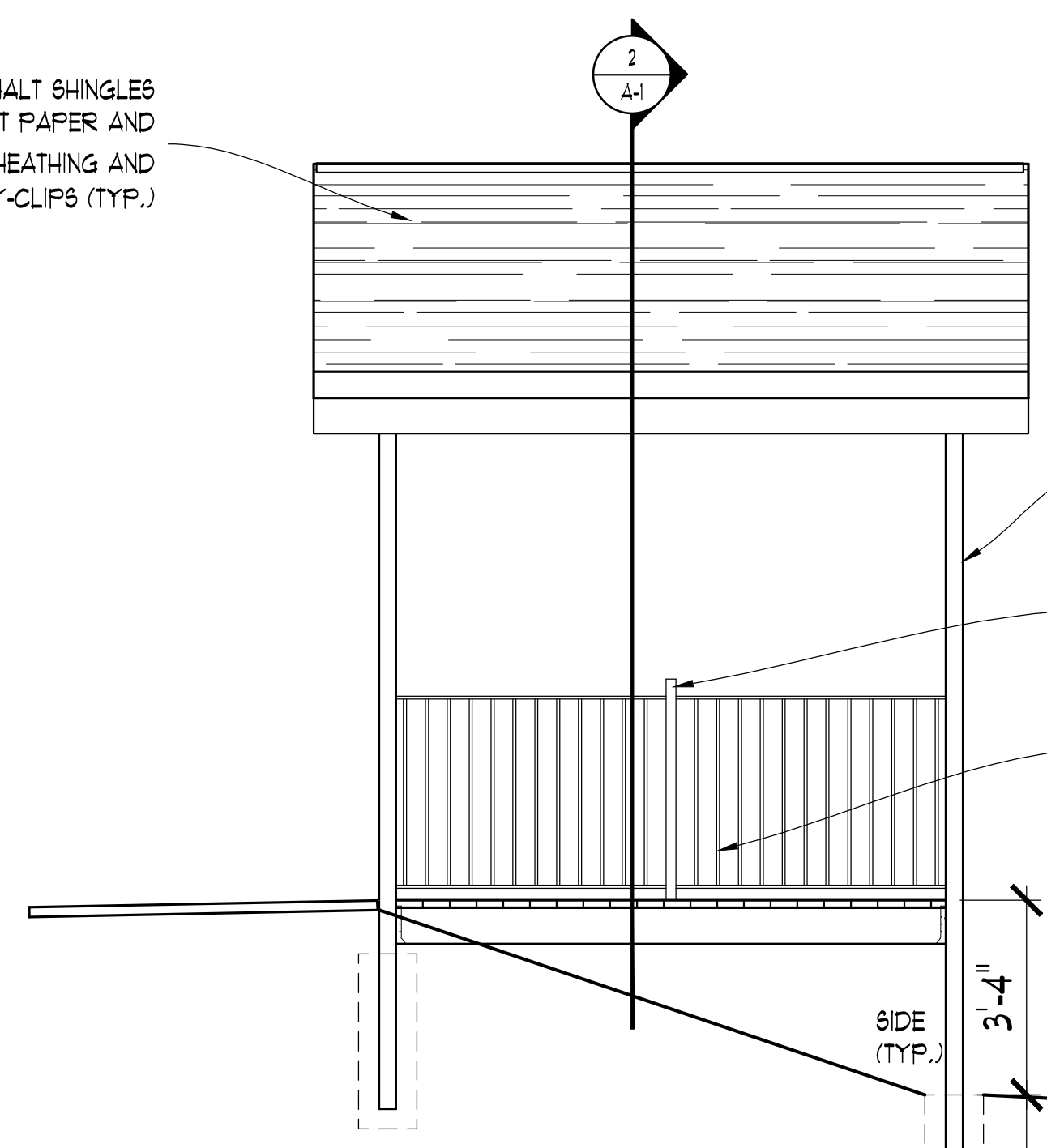
FOUNDATION PLAN
SCALE: 1/4" = 1'-0"



FLOOR PLAN
SCALE: 1/4" = 1'-0"



ELEVATIONS
SCALE: 3/8" = 1'-0"



1 BUILDING SECTION
SCALE: 1/2" = 1'-0"

2 BUILDING SECTION
SCALE: 1/2" = 1'-0"

1630 South Sixth Street
Springfield, Illinois 62703
Phone: 217.788.7011



NEW SHELTER
INTERURBAN BIKE TRAIL
BETWEEN WOODSIDE ROAD & 1-72 OVERPASS
SPRINGFIELD, ILLINOIS

Date: JAN. 11, 2022
Project No. 21-098
Drawn By: MEB
Revised:

Revised:

SHEET
A-1
OF 1 SHEET